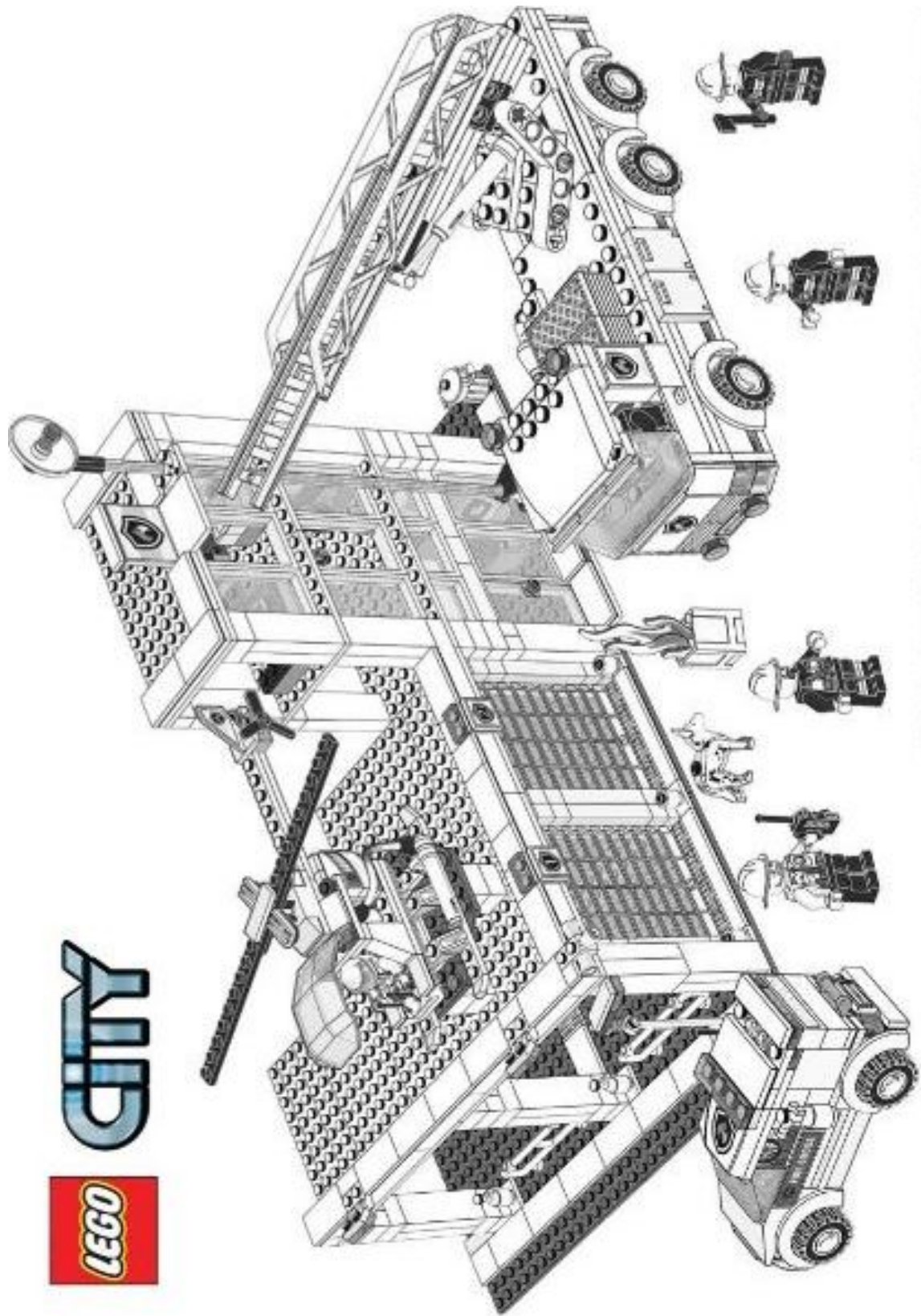


TOPKLEURPLAAT



LEGO, the LEGO logo and the City logo are trademarks of the LEGO Group. ©2003 The LEGO Group. All rights reserved.